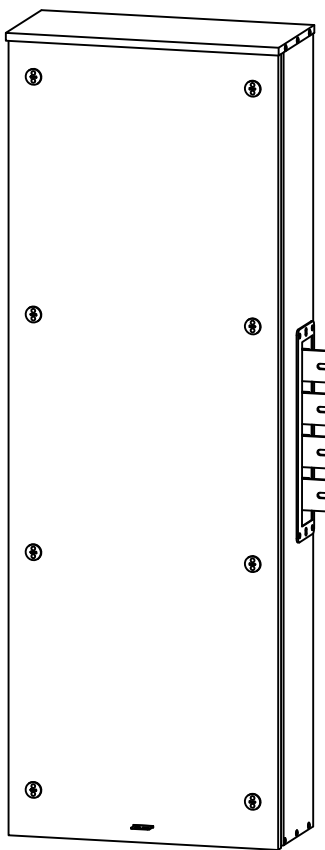


**240 VOLTS.
TERMINATION BOXES
FOR
ERICKSON ELECTRICAL EQUIPMENT CO.
COMMERCIAL METERING PANELBOARDS
(NON INTERCHANGEABLE WITH 480V. UNITS)**



FEATURES:

- TYPE 3R ENCLOSURES FOR OUTDOOR OR INDOOR INSTALLATION.
- SHORT CIRCUIT CURRENT RATINGS UP TO 200,000 RMS SYMMETRICAL AMPERES, BUT NOT TO EXCEED SHORT-CIRCUIT RATINGS OF BRANCH CIRCUIT DEVICES IN METERING PANELBOARD.
- LISTED BY UNDERWRITERS LABORATORIES INC, UNDER FILE E113674,"TERMINATION BOXES."
- HORIZONTAL MAIN BUS AVAILABLE IN TIN PLATED ALUMINUM (800A) OR SILVER PLATED COPPER (1200 OR 1600A)
- MAIN LUGS ARE SUITABLE FOR COPPER OR ALUMINUM CONDUCTORS.
- SUITABLE FOR OVERHEAD OR UNDERGROUND ENTRANCE.
- ALUMINUM ENCLOSURES NEVER RUST, INSTALL EASILY.



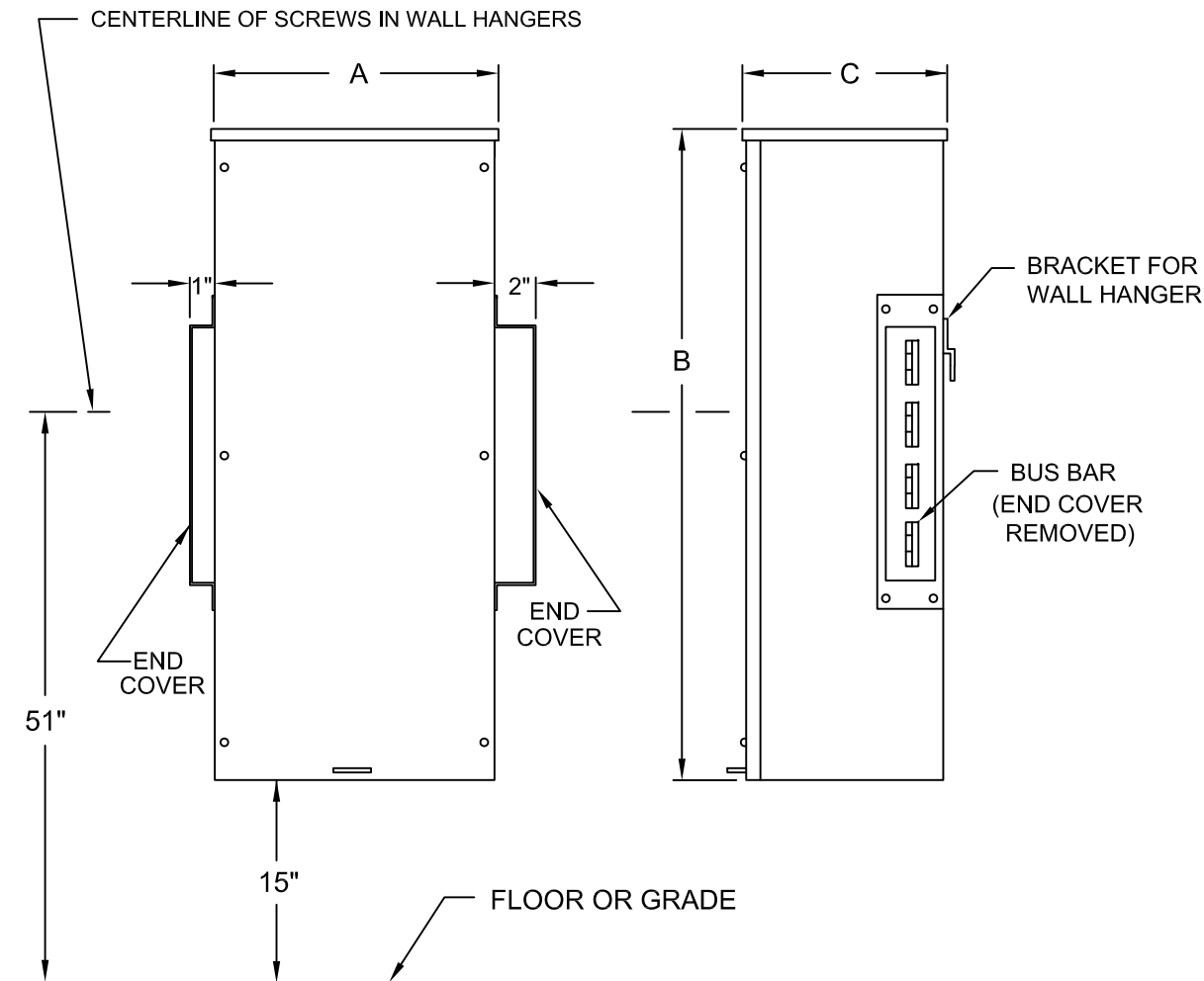
APPLICATION: FOR USE WITH ERICKSON TYPE 'CM' COMMERCIAL METERING PANELBOARDS WHERE MAIN LUGS ONLY PANELBOARDS ARE INDICATED.

RATINGS: 400, 600, 800, 1200, 1600 & 2000 AMPS. SIZES ARE AVAILABLE.

www.ericksonelectric.com

**ERICKSON ELECTRICAL EQUIPMENT CO.
475 BONNIE LANE • ELK GROVE VILLAGE, IL 60007
TELEPHONE: (847) 640-7701 / 1-800-952-7225
FAX: (847) 640-0565**

TERMINATION BOXES



CAT #	AMPS	DIM. A	DIM. B	DIM. C	LUGS (# WIRES / LUG & SIZE)
TRB425N	400	14 ³ / ₈ "	64"	9 ¹ / ₂ "	(2) 600MCM-#2
TRB426N	600	14 ³ / ₈ "	64"	9 ¹ / ₂ "	(2) 600MCM-#2
TRB427N	800	22 ³ / ₈ "	64"	9 ¹ / ₂ "	(4) 600MCM-#2
TRB428N	1200	22 ³ / ₈ "	64"	9 ¹ / ₂ "	(4) 600MCM-#2
TRB429N	1600	28 ¹ / ₂ "	64"	13 ⁷ / ₈ "	(4) 600MCM-#4 OR (8) 250MCM-1/0
TRB4210N	2000	36 ¹ / ₂ "	66"	19"	(5) 600MCM-#4 OR (10) 250MCM-1/0

- ALL LUGS ARE SUITABLE FOR COPPER OR ALUMINUM WIRE, 75°C EXCEPT 1600A TERMINATION BOXES ARE SUITABLE FOR COPPER WIRE ONLY.
- END COVERS ARE REMOVABLE. COVER THAT IS REMOVED WHEN CONNECTING TERMINATION BOX TO METER PANEL IS TO BE INSTALLED ON END METER PANEL UNIT.
- APPLICATION: 208Y/120V; OR 240Y/120V DELTA SYSTEMS.
- 1600 & 2000A TERMINATION BOXES ARE EQUIPPED WITH 1200A HORIZONTAL LOAD BUS. THE MAXIMUM LOAD TO EITHER THE LEFT OR THE RIGHT MUST NOT EXCEED 1200A. (SUFFIX "CM7" INDICATES 800A ALUMINUM BUS. SUFFIX "CM9" INDICATES 1600A COPPER BUS.)